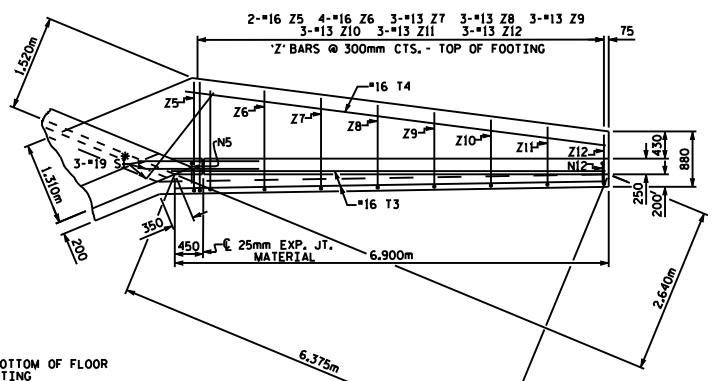
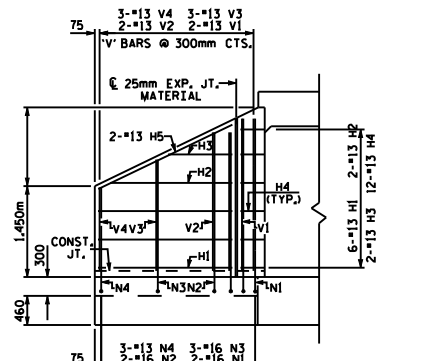


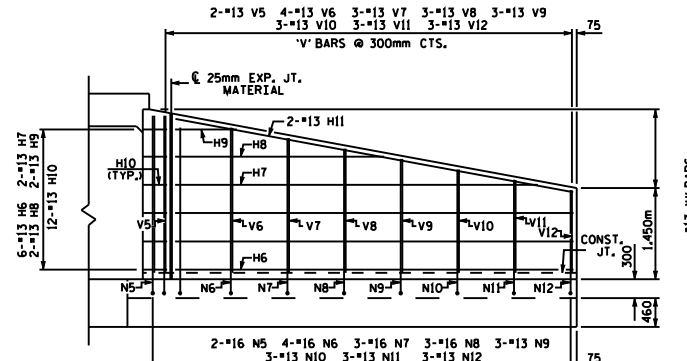
PLAN W2



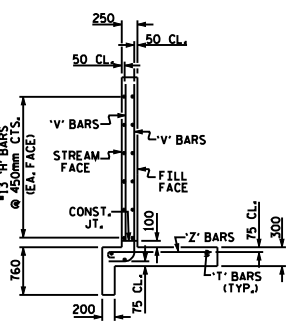
PLAN W1



ELEVATION W2



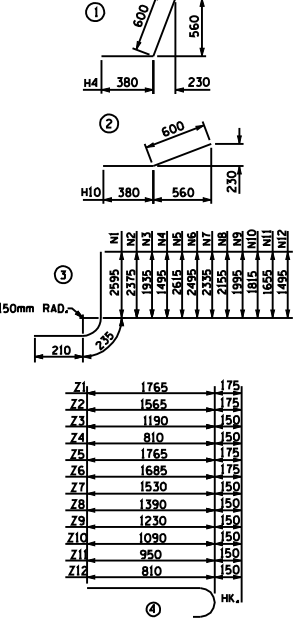
ELEVATION W1



TYPICAL WING SECTION

BAR TYPES

ALL BAR DIMENSIONS ARE OUT TO OUT.



Z1 1765 175
Z2 1565 175
Z3 1190 150
Z4 810 150
Z5 1765 175
Z6 1685 175
Z7 1530 150
Z8 1390 150
Z9 1230 150
Z10 1090 150
Z11 950 150
Z12 810 150

BILL OF MATERIAL

BAR NO.	SIZE	TYPE	LENGTH	WEIGHT	
H1	12	13	STR	2140	26
H2	4	13	STR	1960	8
H3	4	13	STR	1020	4
H4	24	13	STR	980	23
H5	4	13	STR	2360	9
H6	12	13	STR	6340	76
H7	4	13	STR	6000	24
H8	4	13	STR	3580	14
H9	4	13	STR	1180	5
H10	24	13	STR	980	23
H11	4	13	STR	6440	26
N1	4	16	STR	3040	19
N2	4	16	STR	2820	18
N3	6	16	STR	2380	22
N4	6	13	STR	1940	12
N5	4	16	STR	3060	19
N6	8	16	STR	1940	37
N7	6	16	STR	2780	26
N8	6	16	STR	2600	24
N9	6	13	STR	2440	15
N10	6	13	STR	2260	13
N11	6	13	STR	2100	13
N12	6	13	STR	1940	12
S1	12	19	STR	1800	48
T1	4	16	STR	2700	17
T2	2	16	STR	3100	10
T3	4	16	STR	6900	43
T4	2	16	STR	6700	21
V1	4	13	STR	2420	10
V2	4	13	STR	2200	9
V3	4	13	STR	1760	10
V4	6	13	STR	1320	8
V5	4	13	STR	2440	10
V6	4	13	STR	2320	18
V7	6	13	STR	2160	13
V8	6	13	STR	1980	12
V9	6	13	STR	1820	11
V10	6	13	STR	1640	10
V11	6	13	STR	1480	9
V12	6	13	STR	1320	8
Z1	4	16	STR	1940	12
Z2	4	16	STR	1740	11
Z3	6	13	STR	1340	8
Z4	4	13	STR	960	6
Z5	4	16	STR	1940	12
Z6	8	16	STR	1860	23
Z7	6	16	STR	1680	10
Z8	6	13	STR	1540	9
Z9	6	13	STR	1380	8
Z10	6	13	STR	1240	7
Z11	6	13	STR	1100	7
Z12	6	13	STR	960	6

REINFORCING STEEL FOR 4 WING WALLS 854 kg

CLASS A CONCRETE

4 WINGS	20.5	m ³
2 HEADWALLS		m ³
2 END CURTAIN WALLS		m ³
TOTAL		m ³

PROJECT NO. _____ COUNTY _____

STATION: _____

SHEET OF _____

STATE OF NORTH CAROLINA
DEPARTMENT OF TRANSPORTATION
DIVISION
STANDARD WINGS
FOR
CONCRETE BOX CULVERT
H=2.400m SLOPE=2:1
45° OR 135° SKEW

REVISIONS				SHEET NO.			
NO.	BY	DATE	NO.	BY	DATE	TOTAL	SHEETS
1			3				
2			4				

STD. NO. CW4524

ASSEMBLED BY : _____ DATE : _____
CHECKED BY : _____ DATE : _____
DRAWN BY : J.R. 7/97
CHECKED BY : VAP 10/97

FOR WING ORIENTATION, SEE BARREL STANDARD SHEET.